

### Features:

- No UV or IR light radiation.
- Provide 155° beam angles.
- Easy Installation:
- Very Low Power Consumption:  
Less than 36Watts
- Long lifetime: 25000 hours (L<sub>70</sub>).
- Sturdy Construction:  
Organic glass Light guide plate And Aluminium alloy Lamp Shell.
- High CRI: 70-85
- Correlated Color Temperature: 2700-7000K
- Operating temperature: -20°C~+60°C.
- 100~240V AC input.
- LED type: 3014 LED

### Benefits:

- Energy Cost Savings:  
Over 60% Compared to Incandescent.
- Solid-State:  
High-Shock & High-Vibration Resistant,  
Both Electrical and Mechanical
- Eco-Friendly:  
No Mercury, No Lead Content
- No Hazardous Emissions:  
No UV or IR Radiation
- Constant Light Output:  
Even Lighting, Non-Halation

### Application:

- Hotel Lighting
- Exhibition Hall Lighting
- Display / Cabinet / Kiosk Lighting
- Architectural Lighting
- School Lighting
- Other Lighting

### Product Specifications:

Lamp Shell	Aluminium alloy
Input Voltage	100~240V AC
Light guide plate	Organic glass
Wattage	36W
Power Factor	PF ≥ 0.8
Operating Frequency	50-60Hz
Operating Temperature	-20°C ~ +60°C
Storage Temperature	-30°C ~ +70°C
Net Weight per piece (Kg)	3.76Kg
Certification	CE Approved; RoHS Compliant
Fixing ways	Recessed and surface mounted or suspending
Size	600*600*11mm

### Product Selection Guide:

Product	Beam Angle	Total Lumens	CCT	Color	CRI
GI-PL-WW320C-6060	155	2400 ± 5%	2700-3500K	Warm White	≥ 80
GI-PL-W320C-6060	155	2600 ± 5%	5500-6500K	White	≥ 70

## GI-PL-<sup>①</sup>XX<sup>②</sup>/320<sup>③</sup>/C<sup>④</sup>/6060<sup>⑤</sup>

① GI- PL: Panel Light

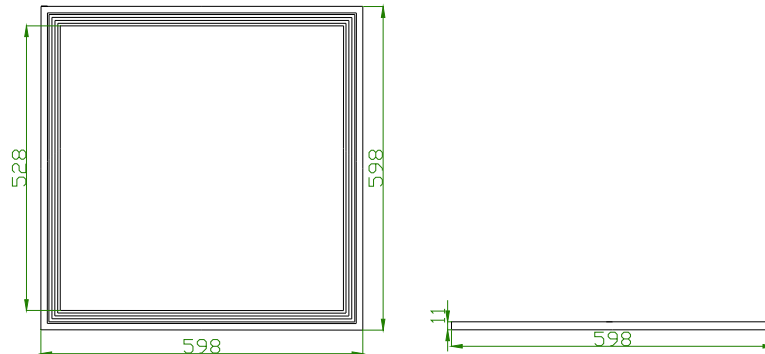
② XX: WW(Warm white) W(White)

③ 320: 320 pcs of LED

④ C: AC100~240V

⑤ 6060: Product size

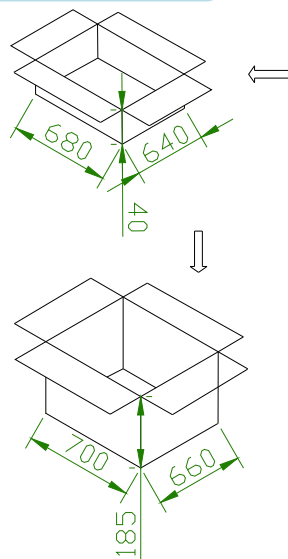
### Product Dimensions:



#### NOTES:

1. All dimensions unit in mm
2. Tolerances are  $\pm 0.5$ mm unless otherwise noted.

### Package Dimension



Small carton  
680L\*640W\*40Hmm  
(26.77"L\*25.20"W\*1.58"H)  
1pcs Panel light inside

Big carton  
700L\*660W\*185Hmm  
27.56"L\*25.98"W\*7.28"H  
4pcs Small carton inside

### Installation Instructions and Warnings:

- Turn off power before inspection, installation, or removal.
- Not for use where exposed to the weather
- Do not use in totally enclosed fixtures.
- Not for use with dimmers.