



Electrical Characteristics

GI-BCT60-12

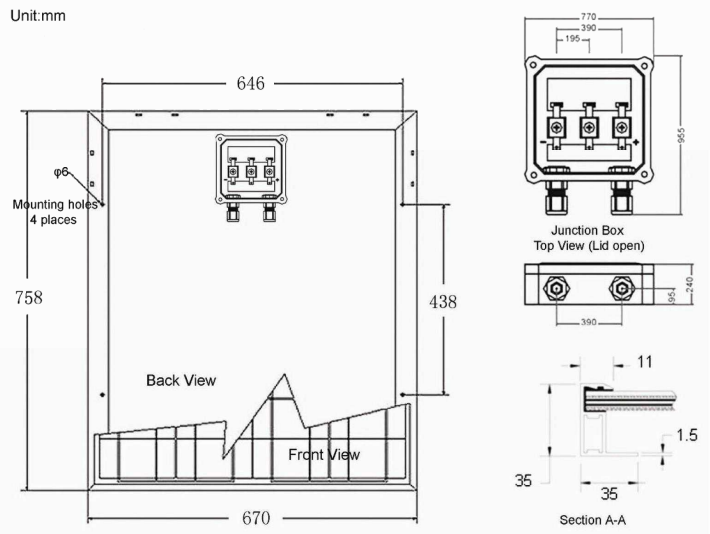
Maximum power at STC (Pmax)	60W
Optimum operating voltage (Vmp)	17.2V
Optimum operating current (Imp)	3.49A
Open-circuit voltage (Voc)	21.6V
Short-circuit current (Isc)	3.86A
Short-circuit current temperature coefficient	(0.065±0.015) %/°C
Open-circuit voltage temperature coefficient	-(80±10) mV/°C
Peak power temperature coefficient	-(0.5±0.05) %/°C
NOCT (Air 20°C; Sun 0.8kW/m wind 1m/s)	47±2°C
Operating temperature	-40°C to 85°C
Maximum system voltage	600V DC
Power tolerance	±3%

STC: Irradiance 1000W/m², Module temperature 25°C, AM=1.5

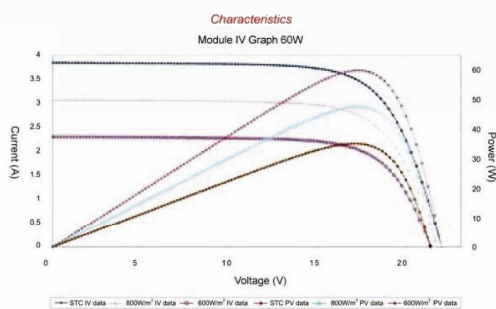
Features

- Nominal 12V DC for standard output.
- High efficiency.
- Outstanding low-light performance.
- High transmission tempered glass.
- Rugged design to withstands high wind pressure and snow load, easy installation.
- Aesthetic appearance.
- Design to meet unique demand of customer.
- 25 year module output warranty.

Dimension



Characteristics



Specification

GI-BCT60-12

Cell	Poly-crystalline silicon solar cells
No. of cell and connection	36 (4×9)
Dimension of module	758mm×670mm×35mm
Weight	6kg

Specifications are subject to change without notice at any time.